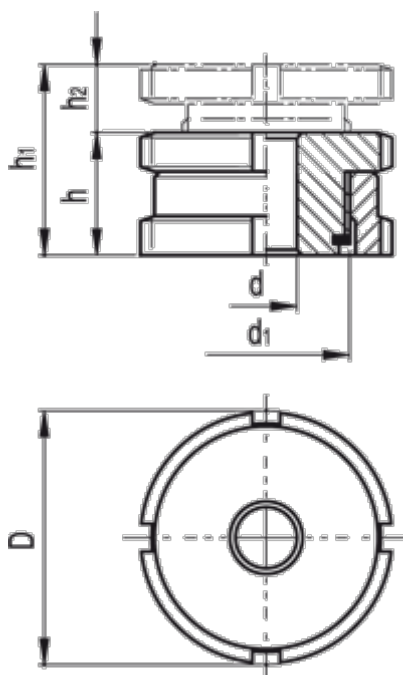


Article number: 20665235A
Description: E+G Levelling set
GN 350.1-58-17.5-NI

Measures



C-spanner DIN 1810 = A58-62
d = 17.5
D = 58
d1 = M40x1
For screw = M16
h = 28
h1 = 37
h2 = 9

Max static load (N) = 148.0
Static preload (N) = 92.9
Weight (g) = 450